
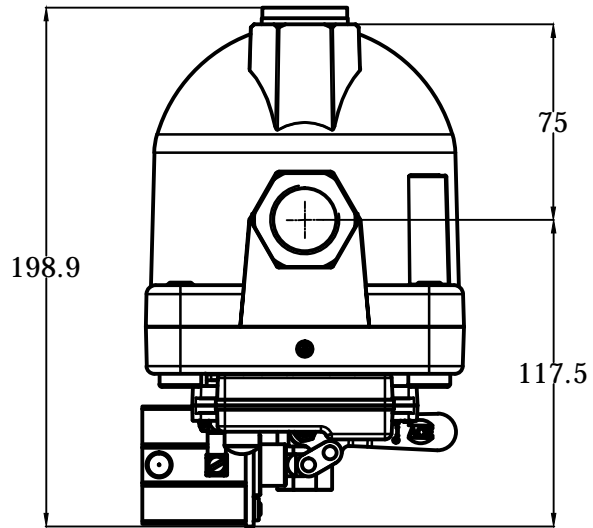
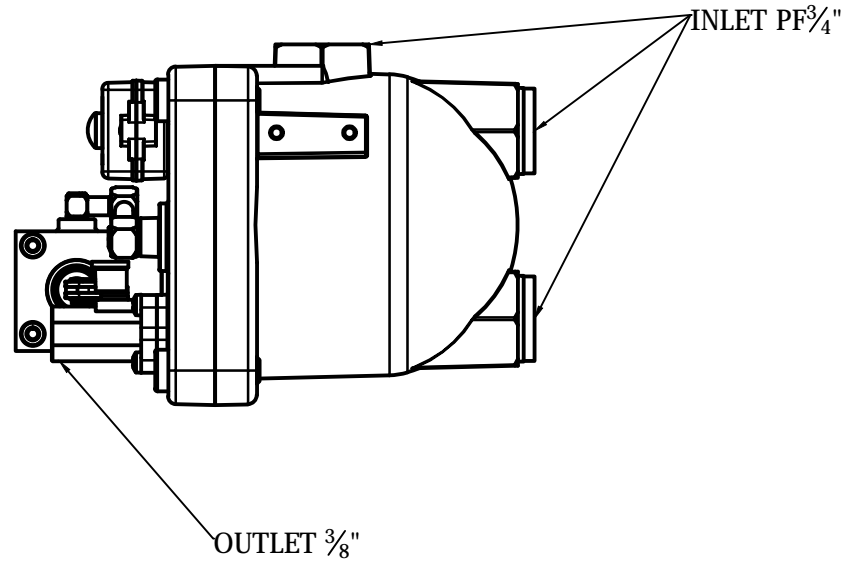
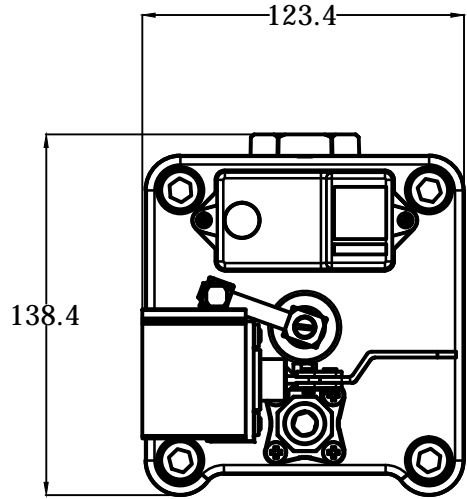


ACE CORPORATION		Material AC4C/H6
	Name -TURBOTRAP50 Diagram	DESIGNED BY C.M YEO
	Number TURBOTRAP502500	CHECKED BY C.M YEO
	Date 2016/11/18	SCALE 1:1



SPECIFICATION

1. Maker model : TRUBOTRAP50
2. Max working pressure : 1.5~12kg/cm²
3. Max volume of drain : 100~400 l/h
4. Max working temperature : 60°C
5. Medium : Charging air