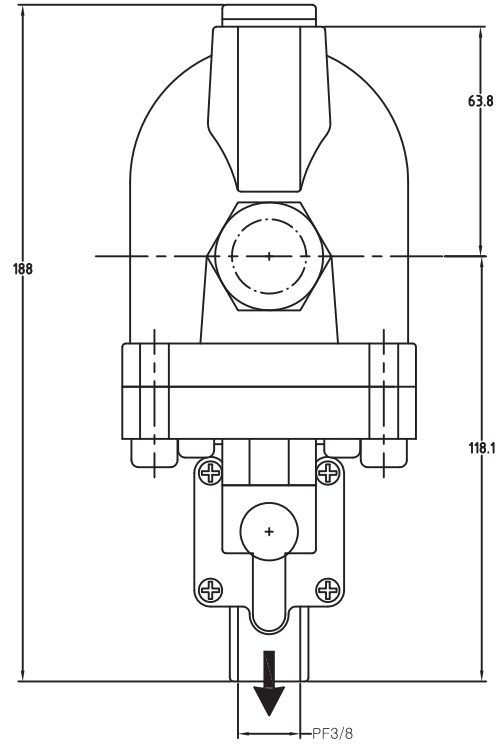
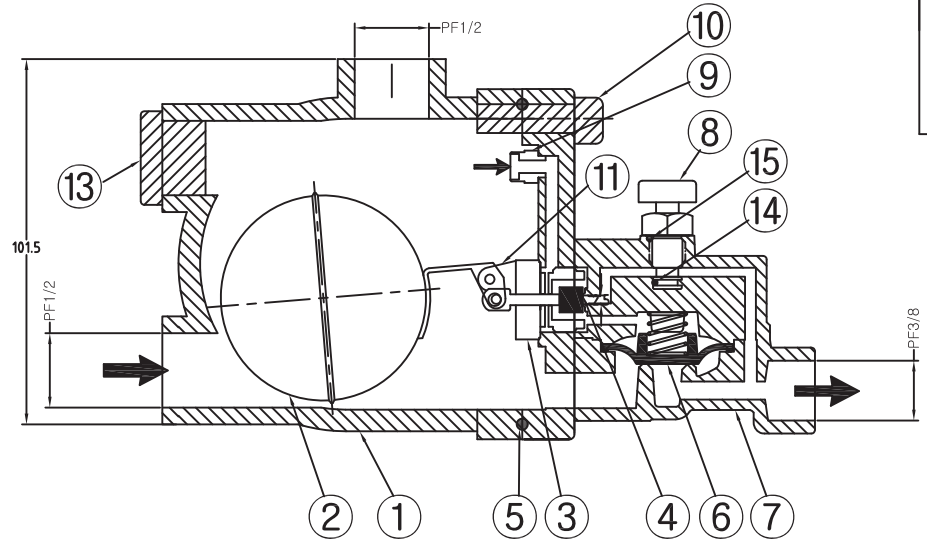
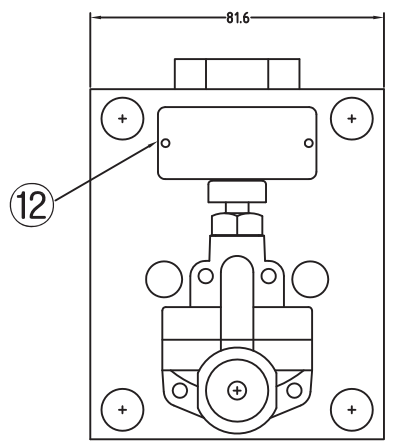


ACE CORPORATION		재질
	도명 15N 외형도	DESIGNED BY
	도번 07-P10	CHECKED BY
	일시 2007/09/01	SCALE 1:1



×SPECIFICATION×

1. Maker model : Acetrap15N
2. Max working pressure : 4~9.9kg/cm²
3. Max working temperature : 60°C
4. Medium : Charging air

NO	DESCRIPTION	MAT'L	Q'TY
15	O-Ring(S-9)	NBR	1
14	O-ring(S-6)	NBR	1
13	Socket	AL 4C	2
12	Name plate	SUS304 0.4T	12
11	Bracket for ball-float	SUS304 1.3T	1
10	M8x25 lench bolt	SUS304	4
09	Pilot air guide	Bronze	1
08	Test key	Bronze	1
07	Discharge port	AC 4C	1
06	Diaphragm	Viton	1
05	Body o-ring(G-80)	NBR	1
04	Needle valve seat	Viton	1
03	Needle valve	Bronze	1
02	Ball-float	SUS304 0.4T	1
01	Body	AL 4C 6T	1
	DESCRIPTION	MAT'L	Q'TY