
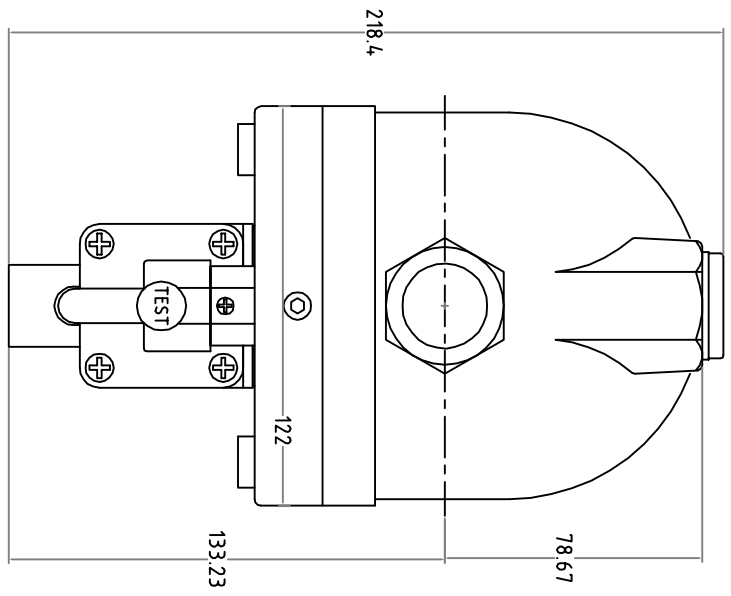
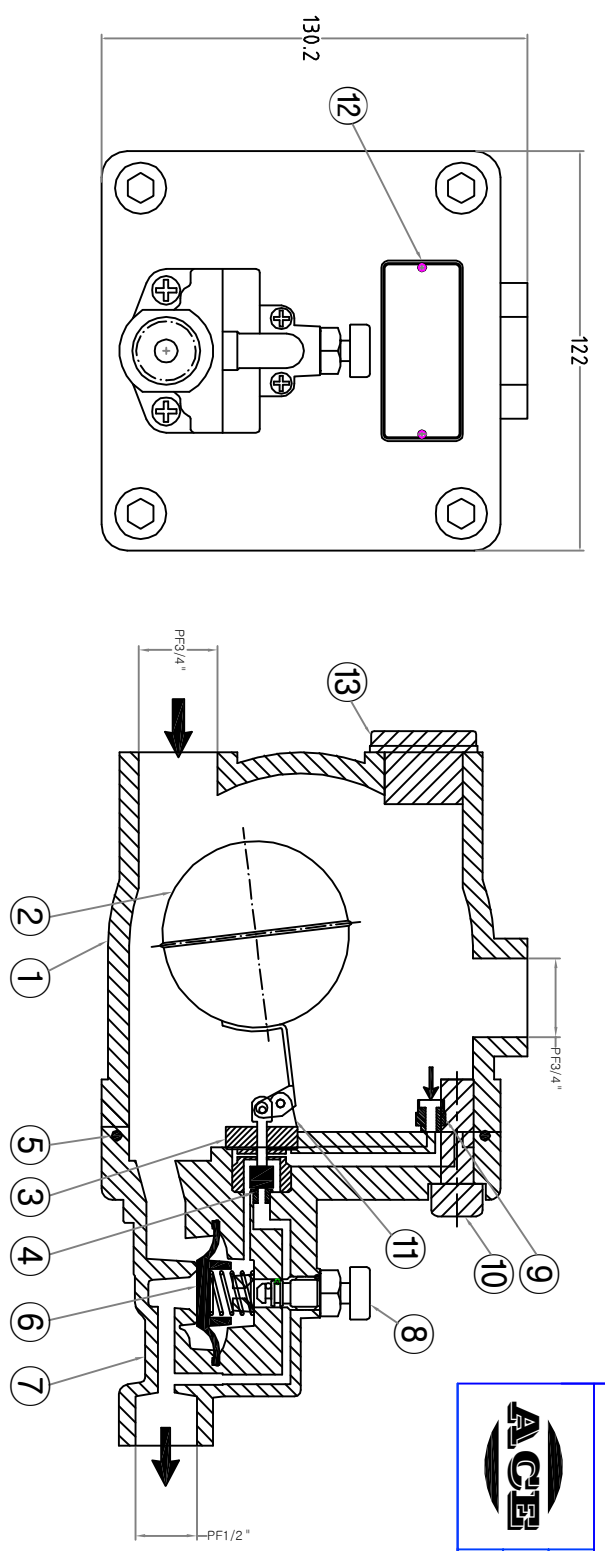


ACE CORPORATION 		도명 -D07 외형도 도번 07-P10 일자 2007/05/30	DESIGNED BY CHECKED BY APPROVED BY W.J JOE
		SCALE 1:1	8 9 10 11 12 13



SPECIFICATION
 1. Maker model : Acecorp 20N
 2. Max working pressure : 3~9 kgf/cm²
 3. Max volume of diam : 196 f/1
 4. Max working temperature : 60 C
 5. Medium : Changeling oil

DESCRIPTION	MATL	Q'TY
13. Socket	AL 4C	2
12. Name Blde	SUS304 0.4T	1
11. Bracket for ball-float	SUS304 1.3T	1
10. M8x25 lench bolt	SUS304	4
09. Pilot air guide	Bronze	1
08. Test key	Bronze	1
07. Discharge port	AL 4C	1
06. Diaphragm	Viton	1
05. Body o-ring(G-120)	NBR	1
04. Needle valve seat	Viton	1
03. Needle valve	Bronze	1
02. Ball-float	SUS304 0.4T	1
01. Body	AL 4C 6T	1